

**COLUMBUS 61" CAST IRON
DOUBLE ROLL TOP
TUB ON BASE**

Cat. No.
CTDRN61B



L: 61"
W: 31"
H: 24" (from floor to top of tub)
18" (from bottom of tub to top of tub)

Water depth: 18" to top of tub
Water depth: 13-1/2" to overflow

Features:

- ▶ Inside finish is white enamel
- ▶ Stylish cast iron base
- ▶ Pre-drilled overflow hole
- ▶ Tub exterior is white (epoxy)
- ▶ No faucet holes
- ▶ Continuous rolled rim
- ▶ Tub is thoroughly inspected before shipment



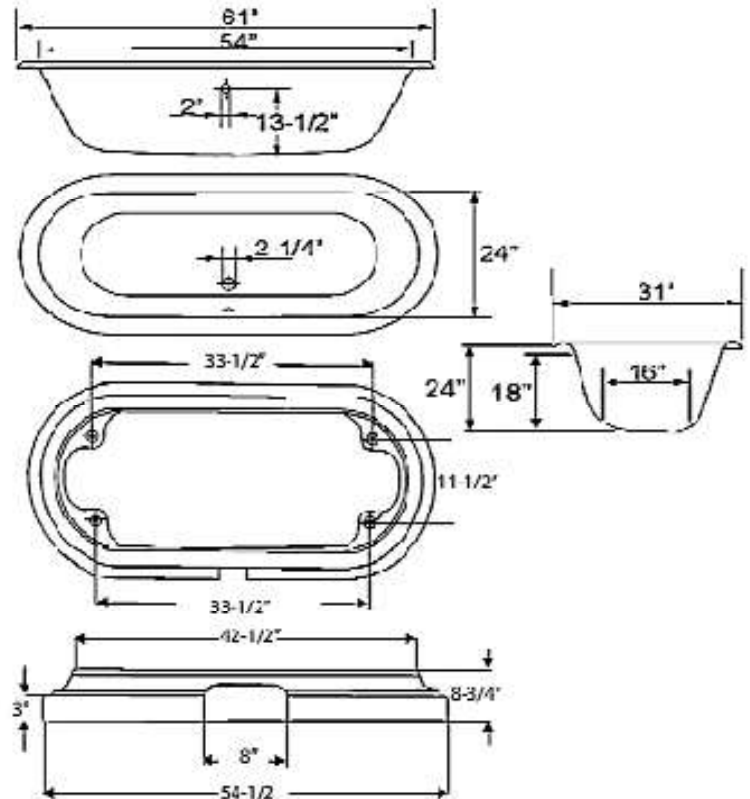
Custom Colors Available (inside of tub is always white enamel):
Painted bathtubs are considered "special order" and are not returnable
\$160 Bisque or Black \$250 Designer Color

The following is recommended for CTDRN tubs without faucet holes:

- Faucets: part #4602 or 4604
- Rigid, freestanding supplies: part #4502
- Leg tub drain: part #5599

Note
To prevent the accumulation of standing water under your tub base we recommend using a bead of silicone between the base and the floor.

Gallon Capacity: 60
Shipping Weight: 480 lbs.
Empty Weight: 300 lbs.
Filled Weight: 801 lbs.



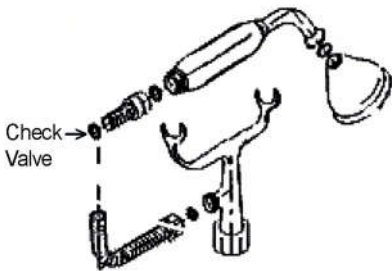
Dimensions of fixture are nominal and may vary within the range of tolerances established by ANSI Standard A112.19.2. Dimensions and specifications subject to change without notice.

TUB WALL MOUNT FILLER WITH HANDSHOWER

Cat. No.
4602



Adjustable Swivel Mounts



Features:

- ▶ Brass construction
- ▶ Elephant spout length is 5-³/₄"
- ▶ Flow rate is 3.7 GPM
- ▶ Available with porcelain lever (**4602-PL**) or metal cross handles (**4602-MC**)
- ▶ Telephone handshower with cradle and hose
- ▶ Handshower flow rate 2.5 GPM
- ▶ Handshower includes backflow preventer
- ▶ Swivel mounts adjust centers from 3" to 12"
- ▶ Faucet centers are 7" without swivel mounts
- ▶ For tub wall mount installation
- ▶ ¼ turn ceramic disc cartridges
- ▶ IAPMO approved
- ▶ To be used with double offset bath supplies, **Part #5576**
- ▶ This faucet can also be used with rigid freestanding supplies, **Part #4502** with adjustable swivel mounts removed



Finishes:

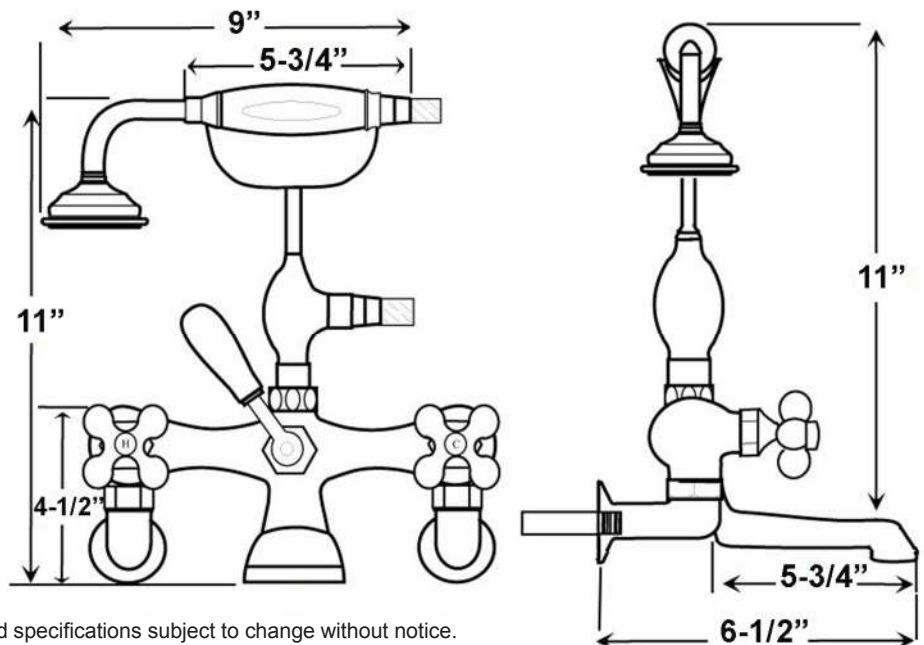
BP Polished Brass

CP Polished Chrome

ORB Oil Rubbed Bronze

SN Brushed Nickel

PN Polished Nickel



Dimensions are nominal and may vary. Dimensions and specifications subject to change without notice.

FREESTANDING BATH SUPPLIES

Cat. No.
4502-PL



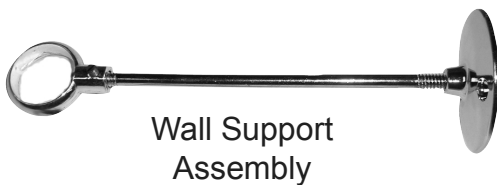
Features:

- ▶ 5" Shaft included
 - ▶ Stops included
 - ▶ 1/2" Pipe thread inlet
 - ▶ 3/4" Flare outlet
 - ▶ Wall support assemblies included
 - ▶ Porcelain lever handles
 - ▶ IAPMO approved
 - ▶ Available in 5 finishes
 - ▶ Should not be used with leg tubs that have factory drilled holes.
- ▶ 0.800" Outer diameter
 - ▶ 0.595" Inner diameter
 - ▶ 0.090" Thickness of wall

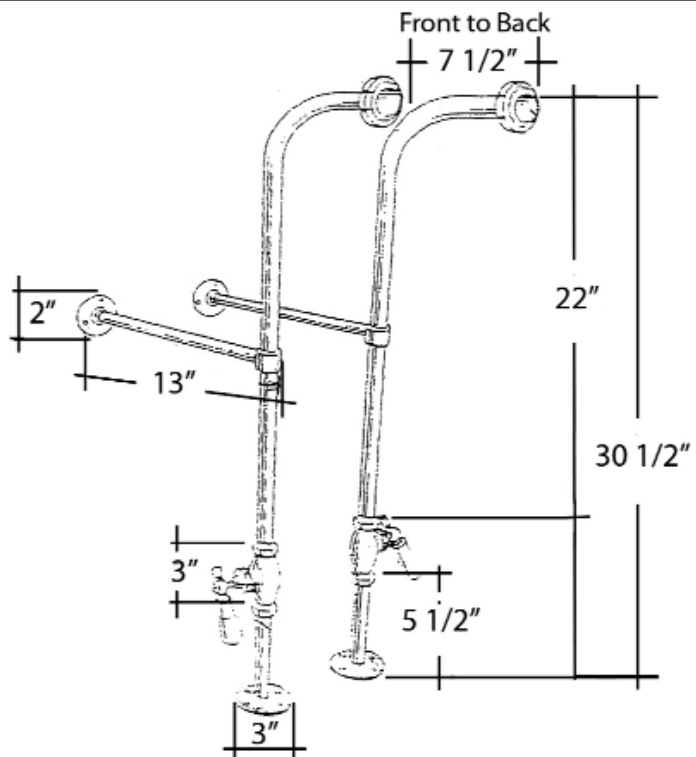
Finishes:

- CP Polished Chrome
- PN Polished Nickel
- BP Polished Brass
- ORB Oil Rubbed Bronze
- SN Brushed Nickel

H: 30" (30-1/2" with nut)



Wall Support
Assembly



Use on concrete floors requires special installation. We recommend using a plumbing professional.

Dimensions are nominal and may vary. Dimensions and specifications subject to change without notice.

LEG TUB DRAIN

Cat. No.
5599



Escutcheon Height: 1-1/4"

Features:

- ▶ Twist-and-lift stopper
- ▶ Includes deep escutcheon
- ▶ Height adjustable 15"-18"
- ▶ Depth adjustable 12"-14"
- ▶ Includes deep escutcheon
- ▶ IAPMO approved
- ▶ Available in 5 Finishes

Finishes:

- CP** Polished Chrome
- BP** Polished Brass
- SN** Brushed Nickel
- PN** Polished Nickel
- ORB** Oil Rubbed Bronze

#5599 Leg Tub Drain



Dimensions and specifications subject to change without notice.